

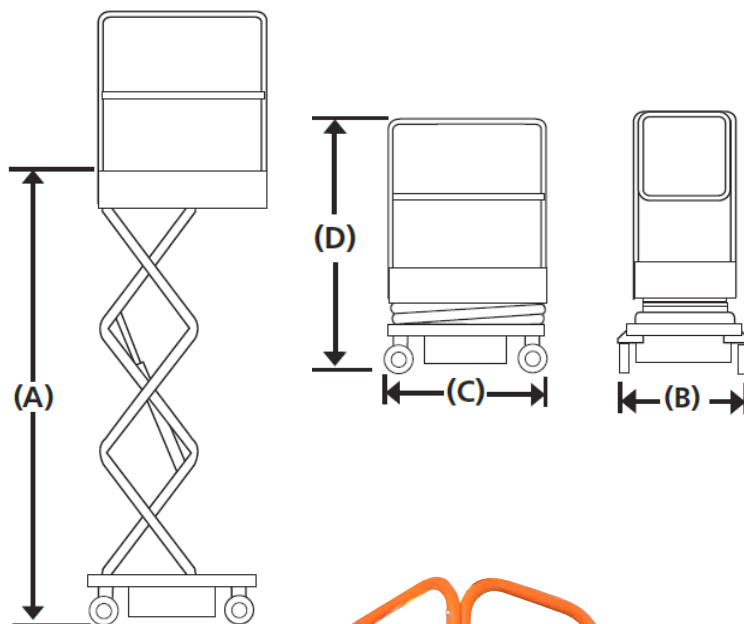
S3010P PUSH AROUND MINI SCISSOR LIFT

DIMENSIONS	S3010P
Max. working height	5.0m
Max. platform height (A)	3.0m
Platform size (outside)	1.1m x 0.52m
Overall width (B)	0.75m
Overall length (C)	1.2m
Stowed height (D)	1.8m

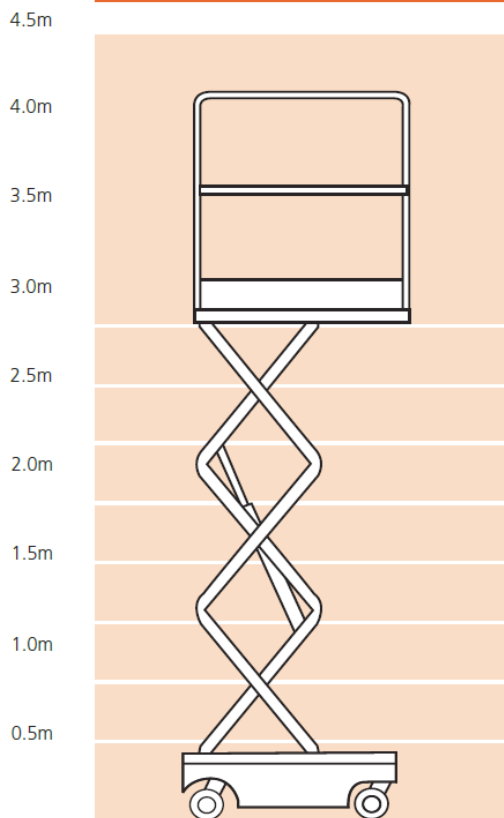
PERFORMANCE	S3010P
Platform capacity (SWL)	240kg
Max. wind speed	0m/s
Raise/lower time	19/26 sec

POWER	S3010P
Power source	12V DC battery
Charger	Built in multi-voltage (90V - 240V)

WEIGHT	S3010P
Weight	370kg



PLATFORM HEIGHT



STANDARD FEATURES

- Auto brake system
- Tilt sensor
- Saloon-door style entry gates
- Integrated battery charger 90V-240V
- Battery charge indicator
- Forklift pockets
- Emergency lowering system
- Non-marking casters
- Slide-out service trays

